

### FEATURES

- The pulse diaphragm valves are especially designed for dust collector service applications, combining high flow, long life and extremely fast opening and closing to produce reliable and economical operation
- The high flow, angle type bodies in combination with the special main diaphragm assemblies give the unique operating features required for dust collector service applications
- The design with integral compression fittings will facilitate installation because there is no need for threaded piping
- The high quality diaphragms are reinforced and wear resistant to guarantee a long operating life, even under harsh conditions
- Integral pilot operated valves satisfy all relevant EC directives

### GENERAL

**Differential pressure** 0,35 - 8,5 bar [1 bar = 100kPa]  
**Ambient temperature range** -20 to +85°C

fluid (*)	temperature range (TS)	diaphragm (*)
air	-20 to +85°C	CR (chloroprene)

### MATERIALS IN CONTACT WITH FLUID

(\*) Ensure that the compatibility of the fluids in contact with the materials is verified

**Body** Aluminium  
**Core tube** Stainless steel  
**Core and plugnut** Stainless steel  
**Springs** Stainless steel  
**Seals & disc** NBR (nitrile)  
**Diaphragms** CR (chloroprene)  
**Shading coil** Copper

### ELECTRICAL CHARACTERISTICS

**Coil insulation class** F  
**Connector** Spade plug (cable Ø 6 - 10 mm)  
**Connector specification** ISO 4400 / EN 175301-803, form A  
**Electrical safety** IEC 335  
**Standard voltages** DC (=): 24V  
(Other voltages and 60 Hz on request) AC (~): 24V - 115V - 230V / 50 Hz

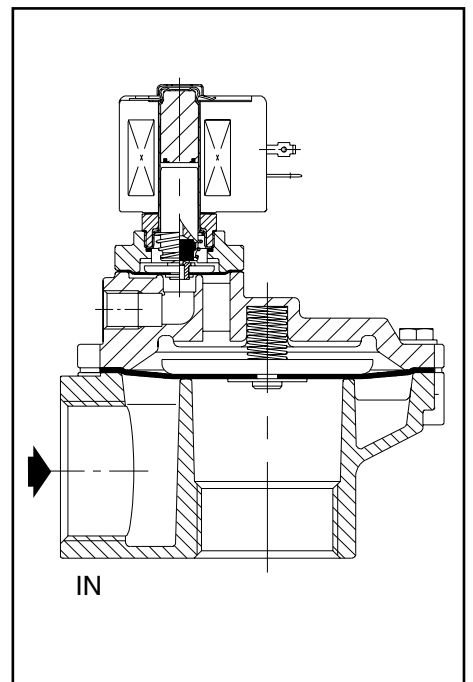
coil type	nominal power ratings				ambient temperature range (TS) (°C)	protection
	inrush ~	holding ~		hot/cold =		
		(VA)	(VA)	(W)		
CMXX-FT CMXX-FF	55 -	23 -	10,5 -	9 / 11,2 14 / 19,7	-20 to +85	moulded IP65

### SPECIFICATIONS

pipe size	orifice size	flow coefficient Kv		operating pressure differential (bar)				coil type		catalogue number	OPTIONAL				
				min.	maximum (PS)		~				=	FPM (2)	EPDM	CR	PTFE
					air (*)										
(mm)	(m³/h)	(l/min)	~	=	~	=	~	=							
<b>G - Threaded pipe connection</b>															
1 1/2	52	46	768	0,35	8,5	8,5	CMXX-FT	CMXX-FF	SCG353A047	V					
2	66	77	1290	0,35	8,5	8,5	CMXX-FT	CMXX-FF	SCG353A050	V					
2 1/2	66	92	1540	0,35	8,5	8,5	CMXX-FT	CMXX-FF	SCG353A051	V					
3	75	170	2833	1,0	6	6	CMXX-FT	CMXX-FF	SCG353.060 (1)	V					
<b>Ø - Compression fitting pipe connection</b>															
1 1/2	52	43	717	0,35	8,5	8,5	CMXX-FT	CMXX-FF	SCG353A065	V					

(1) Threaded pipe connections are external (male thread) on G3.

(2) Does not apply to compression fitting seals.



### OPTIONS

- Waterproof enclosure with embedded screw terminal coil according to protection class IP67, CEE 10
- Explosionproof solenoids for hazardous locations according to "ATEX" (CENELEC) and national standards
- Explosionproof and watertight solenoids according to "NEMA" standards
- Hose connection executions (3" only)
- Compliance with "UL" standards
- Plug with visual indication and/or peak voltage suppression
- Electronic timer
- Valves can also be supplied with FPM (fluorelastomer) diaphragms and seals. Use the appropriate suffix letter for identification



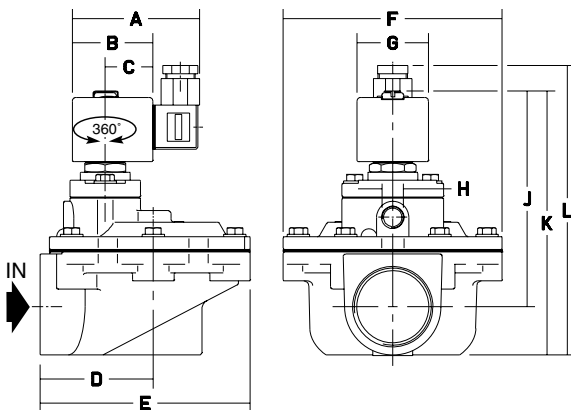
### INSTALLATION

- The valves can be mounted in any position without affecting operation
- Threaded pipe connection is: G (ISO 228/1) or compression fitting
- For compression fitting types tightness is achieved by the compressed gasket on the blow tube
- The use of the rubber gaskets as sealing members will allow a slight misalignment in piping
- Other pipe threads are available on request
- Installation/maintenance instructions are included with each valve
- Spare Parts Kit and replacement coils are available

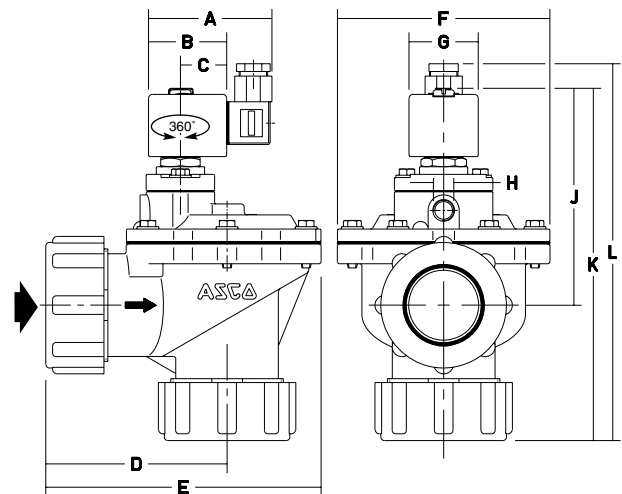
### DIMENSIONS (mm), WEIGHT (kg)



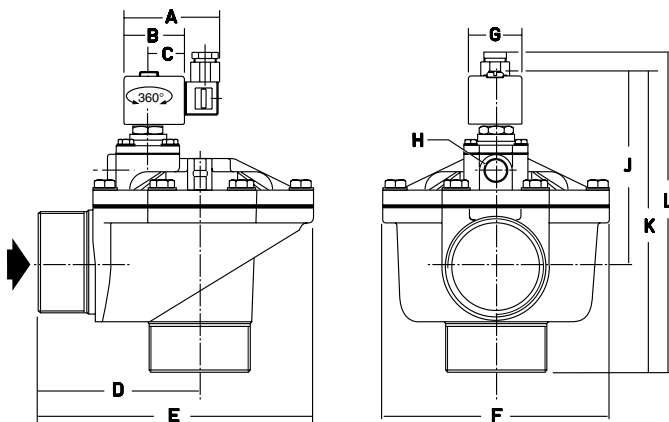
threaded pipe version (Fig.1)



compression fitting pipe version (Fig.2)



external pipe threaded version (Fig.3)



catalogue number	A	B	C	D	E	F	G	H	J	K	L	weight (1)	(C)
SCG353A047	80	50	30	71	130	136	45	G 3/8	131	161	178	1,40	Fig.1
SCG353A050	80	50	30	95	168	165	45	G 3/4	165	210	227	2,90	Fig.1
SCG353A051	80	50	30	95	168	165	45	G 3/4	165	210	227	2,60	Fig.1
SCG353.060	80	50	30	143	240	192	45	G 1/2	165	258	275	4,10	Fig.3
SCG353A065	80	50	30	117	177	136	45	G 3/8	131	225	242	1,75	Fig.2

(1) incl. coil and connector

(C) construction type

All leaflets are available on: [www.ascojoucomatic.com](http://www.ascojoucomatic.com)